

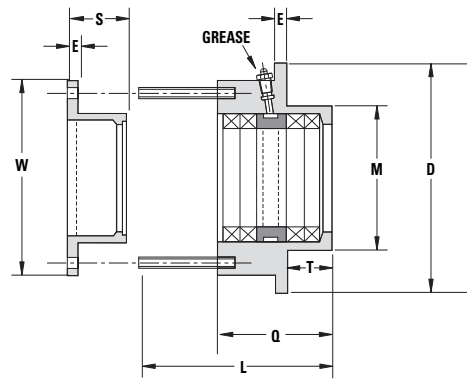
Bulkhead & Rudder Stuffing Boxes

Model 1791

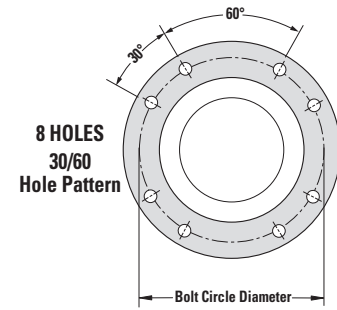
Grease Service



MALE PILOT



DRILL HOLE PATTERN



SPECIFY WHEN ORDERING:

Model Number: Alloy: Bronze (standard) or Aluminum Shaft Diameter: In Inches or Millimeters

| O.D. Shaft or Sleeve Journal | CODE | Flange Diameter | Flange Thickness | Male Pilot Diameter | Length | Overall Length | Gland Length | Pilot Length | Gland Flange Diameter | Packing O.D. | Packing Size | No. of Rings | No. of Holes | Drill Size | Bolt Circle | Hole Spacing |
|------------------------------|------|-------------------|------------------|---------------------|------------------|--------------------|------------------|------------------|-----------------------|------------------|--------------|----------------------|--------------|----------------|-------------------|--------------|
| A | D | E | M | Q | L | S | T | W | Packing | | | Drilling Information | | | | |
| 2 50.80 | 0200 | 5 -3/4 146.05 | 1/4 6.35 | 3 -1/4 82.55 | 2 -1/2 63.50 | 4 -11/16 119.06 | 1 -1/4 31.75 | 1 25.40 | 5 -1/4 133.35 | 2 -3/4 69.85 | 3/8 9.53 | 4 | 8 | 9/16 14.29 | 4 -1/2 114.30 | 30/60 |
| 2 -1/4 57.15 | 0214 | 6 152.40 | 1/4 6.35 | 3 -1/2 88.90 | 2 -1/2 63.50 | 4 -11/16 119.06 | 1 -1/4 31.75 | 1 25.40 | 5 -1/2 139.70 | 3 76.20 | 3/8 9.53 | 4 | 8 | 9/16 14.29 | 4 -3/4 120.65 | 30/60 |
| 2 -1/2 63.50 | 0212 | 6 -1/4 158.75 | 3/8 9.53 | 3 -3/4 95.25 | 2 -5/8 66.68 | 4 -13/16 122.24 | 1 -3/8 34.93 | 1 25.40 | 5 -3/4 146.05 | 3 -1/4 82.55 | 3/8 9.53 | 4 | 8 | 9/16 14.29 | 5 127.00 | 30/60 |
| 2 -3/4 69.85 | 0234 | 6 -1/2 165.10 | 3/8 9.53 | 4 101.60 | 2 -5/8 66.68 | 4 -13/16 122.24 | 1 -3/8 34.93 | 1 25.40 | 6 152.40 | 3 -1/2 88.90 | 3/8 9.53 | 4 | 8 | 9/16 14.29 | 5 -1/2 139.70 | 30/60 |
| 3 76.20 | 0300 | 7 -1/2 190.50 | 7/16 11.11 | 4 -3/4 120.65 | 3 -1/16 77.79 | 5 -1/4 133.35 | 1 -7/16 36.51 | 1 -5/16 33.34 | 7 177.80 | 4 101.60 | 1/2 12.70 | 4 | 8 | 11/16 17.46 | 6 -1/4 158.75 | 30/60 |
| 3 -1/4 82.55 | 0314 | 7 -1/2 190.50 | 7/16 11.11 | 4 -3/4 120.65 | 3 -1/16 77.79 | 5 -1/4 133.35 | 1 -7/16 36.51 | 1 -5/16 33.34 | 7 177.80 | 4 -1/4 107.95 | 1/2 12.70 | 4 | 8 | 11/16 17.46 | 6 -1/4 158.75 | 30/60 |
| 3 -1/2 88.90 | 0312 | 8 -1/8 206.38 | 5/8 15.88 | 5 -1/4 133.35 | 3 -1/4 82.55 | 5 -5/8 142.88 | 1 -5/8 41.28 | 1 -3/8 34.93 | 7 -5/8 193.68 | 4 -1/2 114.30 | 1/2 12.70 | 4 | 8 | 11/16 17.46 | 6 -3/4 171.45 | 30/60 |
| 3 -3/4 95.25 | 0334 | 8 -1/8 206.38 | 5/8 15.88 | 5 -1/4 133.35 | 3 -1/4 82.55 | 5 -5/8 142.88 | 1 -5/8 41.28 | 1 -3/8 34.93 | 7 -5/8 193.68 | 4 -3/4 120.65 | 1/2 12.70 | 4 | 8 | 11/16 17.46 | 6 -3/4 171.45 | 30/60 |
| 4 101.60 | 0400 | 8 -5/8 219.08 | 5/8 15.88 | 5 -3/4 146.05 | 3 -1/4 82.55 | 5 -5/8 142.88 | 1 -5/8 41.28 | 1 -1/4 31.75 | 8 -1/8 206.38 | 5 127.00 | 1/2 12.70 | 4 | 8 | 11/16 17.46 | 7 -1/4 184.15 | 30/60 |
| 4 -1/4 107.95 | 0414 | 8 -5/8 219.08 | 5/8 15.88 | 5 -3/4 146.05 | 3 -1/4 82.55 | 5 -5/8 142.88 | 1 -5/8 41.28 | 1 -1/4 31.75 | 8 -1/8 206.38 | 5 -1/4 133.35 | 1/2 12.70 | 4 | 8 | 11/16 17.46 | 7 -1/4 184.15 | 30/60 |
| 4 -1/2 114.30 | 0412 | 9 -3/8 238.13 | 3/4 19.05 | 6 -1/2 165.10 | 3 -5/8 92.08 | 6 -1/4 158.75 | 1 -7/8 47.63 | 1 -1/2 38.10 | 8 -7/8 225.43 | 5 -3/4 146.05 | 5/8 15.88 | 4 | 8 | 11/16 17.46 | 8 203.20 | 30/60 |
| 4 -3/4 120.65 | 0434 | 9 -3/8 238.13 | 3/4 19.05 | 6 -1/2 165.10 | 3 -5/8 92.08 | 6 -1/4 158.75 | 1 -7/8 47.63 | 1 -1/2 38.10 | 8 -7/8 225.43 | 6 152.40 | 5/8 15.88 | 4 | 8 | 11/16 17.46 | 8 203.20 | 30/60 |
| 5 127.00 | 0500 | 10 -1/8 257.18 | 3/4 19.05 | 7 -1/4 184.15 | 4 -1/4 107.95 | 7 -5/8 193.68 | 2 -3/8 60.33 | 1 -7/8 47.63 | 9 -5/8 244.48 | 6 -1/2 165.10 | 3/4 19.05 | 4 | 8 | 11/16 17.46 | 8 -3/4 222.25 | 30/60 |
| 5 -1/4 133.35 | 0514 | 10 -1/8 257.18 | 3/4 19.05 | 7 -1/4 184.15 | 4 -1/4 107.95 | 7 -5/8 193.68 | 2 -3/8 60.33 | 1 -7/8 47.63 | 9 -5/8 244.48 | 6 -3/4 171.45 | 3/4 19.05 | 4 | 8 | 11/16 17.46 | 8 -3/4 222.25 | 30/60 |
| 5 -1/2 139.70 | 0512 | 10 -5/8 269.88 | 3/4 19.05 | 7 -3/4 196.85 | 4 -1/4 107.95 | 7 -5/8 193.68 | 2 -3/8 60.33 | 1 -7/8 47.63 | 10 -1/8 257.18 | 7 177.80 | 3/4 19.05 | 4 | 8 | 11/16 17.46 | 9 -1/4 234.95 | 30/60 |
| 5 -3/4 146.05 | 0534 | 10 -5/8 269.88 | 3/4 19.05 | 7 -3/4 196.85 | 4 -1/4 107.95 | 7 -5/8 193.68 | 2 -3/8 60.33 | 1 -7/8 47.63 | 10 -1/8 257.18 | 7 -1/4 184.15 | 3/4 19.05 | 4 | 8 | 11/16 17.46 | 9 -1/4 234.95 | 30/60 |
| 6 152.40 | 0600 | 11 -3/8 288.93 | 3/4 19.05 | 8 -3/8 212.73 | 4 -1/4 107.95 | 8 -1/4 209.55 | 2 -3/8 60.33 | 1 -7/8 47.63 | 10 -7/8 276.23 | 7 -1/2 190.50 | 3/4 19.05 | 4 | 8 | 11/16 17.46 | 10 -1/8 257.18 | 30/60 |
| 6 -1/4 158.75 | 0614 | 11 -3/8 288.93 | 3/4 19.05 | 8 -3/8 212.73 | 4 -1/4 107.95 | 8 -1/4 209.55 | 2 -3/8 60.33 | 1 -7/8 47.63 | 10 -7/8 276.23 | 7 -3/4 196.85 | 3/4 19.05 | 4 | 8 | 11/16 17.46 | 10 -1/8 257.18 | 30/60 |

Consult factory for sizes larger than 6 -1/4"